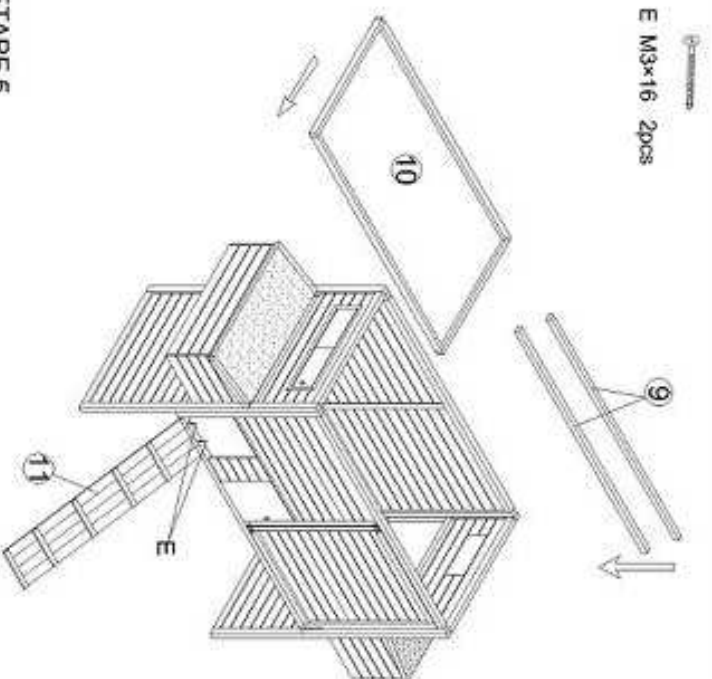
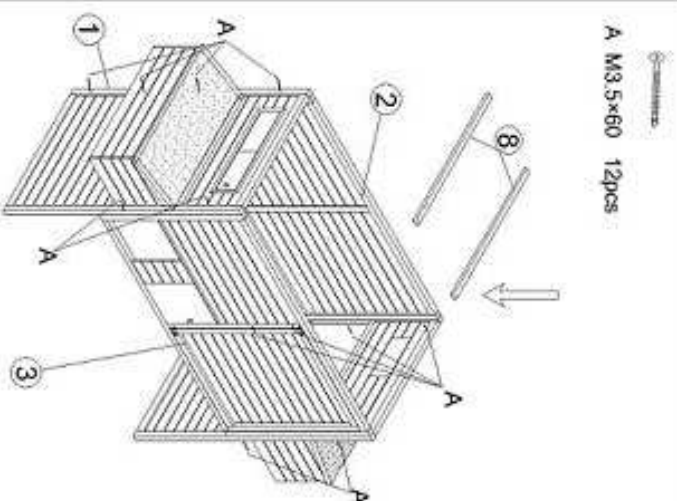
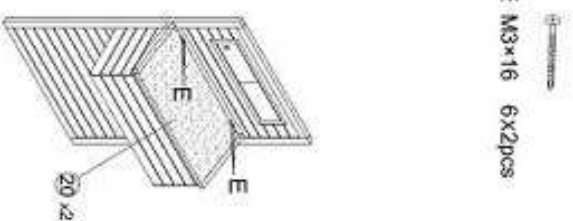
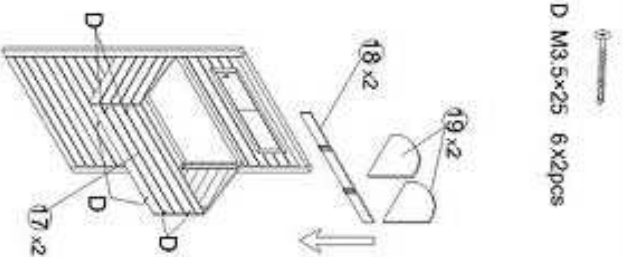
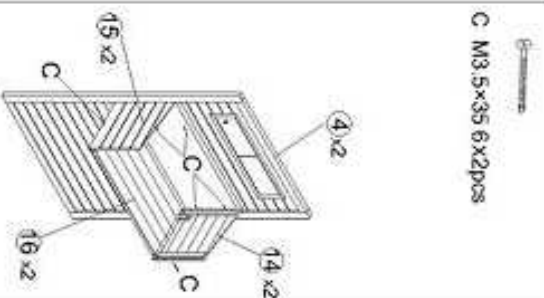
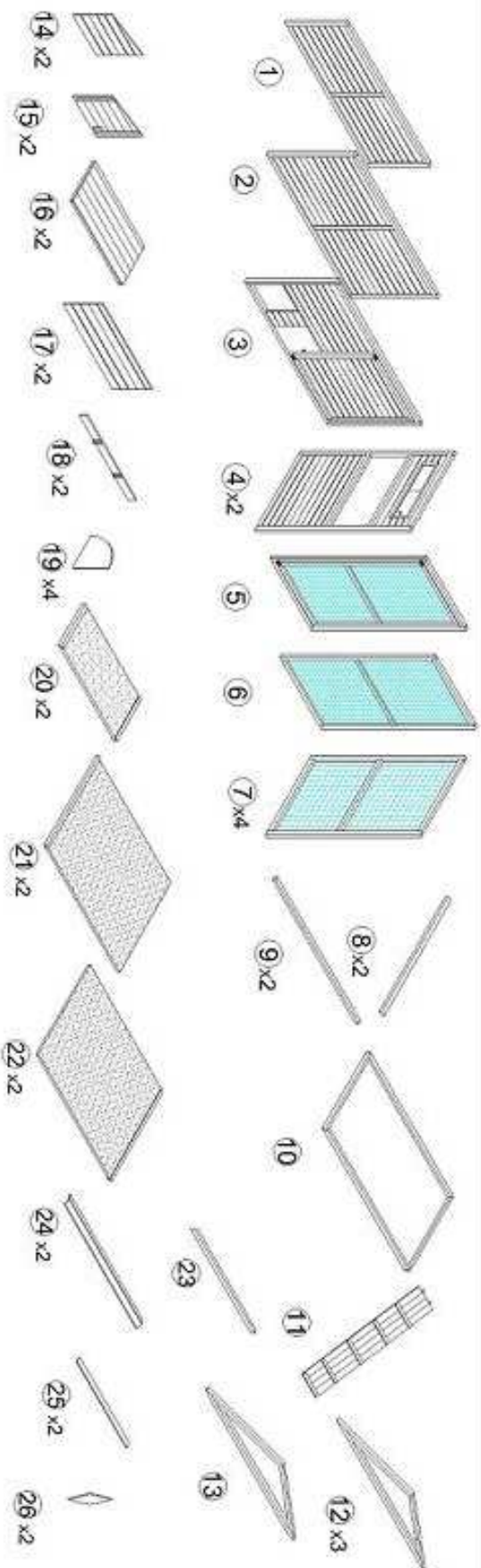


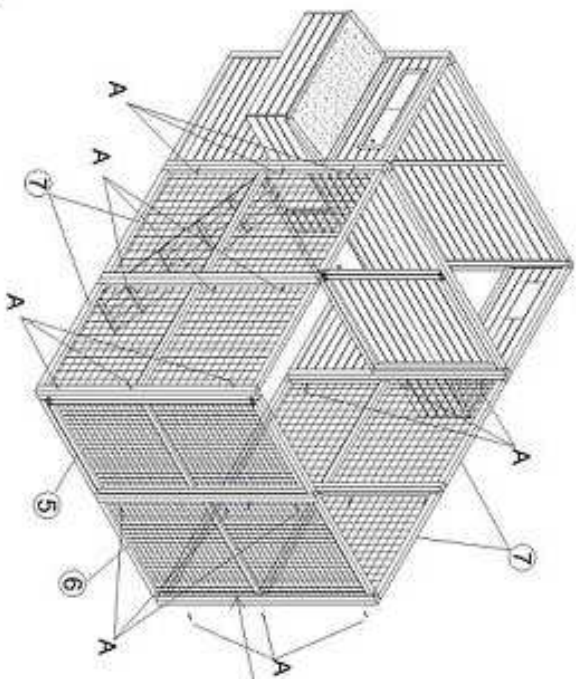
# POULLAILLER AVIZEN

## PLAN DE MONTAGE

- A M3.5x60 33+2pcs
- B M3.5x50 8+2pcs
- C M3.5x35 32+2pcs
- D M3.5x25 36+2pcs
- E M3 x16 14+2pcs

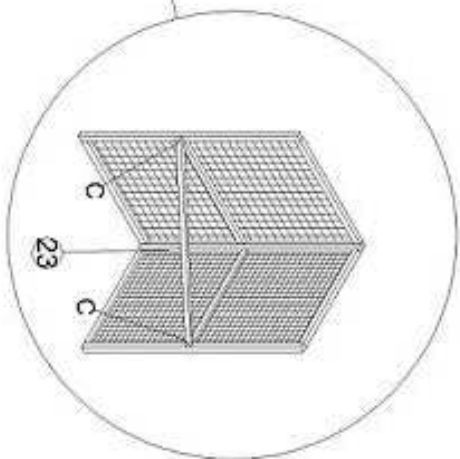


A M3.5x60 21pcs



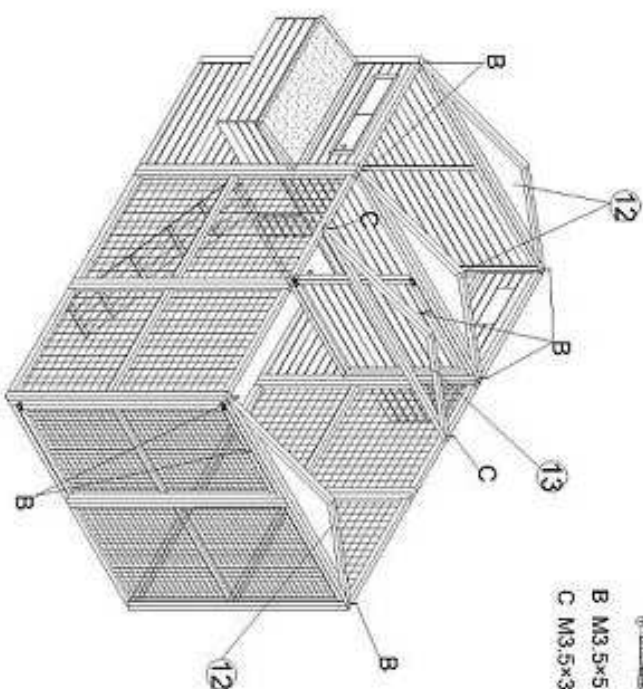
ETAPÉ 6

C M3.5x35 2pcs



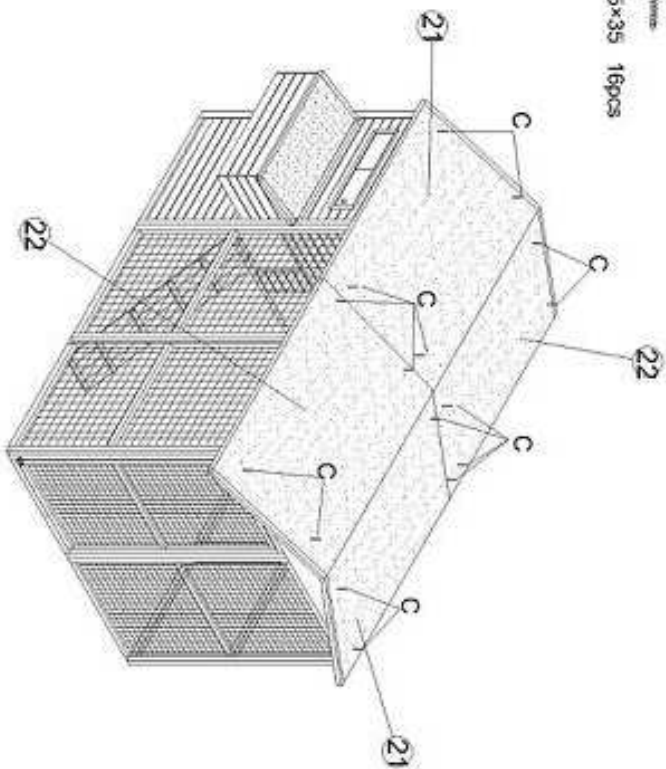
ETAPÉ 7

B M3.5x50 8pcs  
C M3.5x35 2pcs



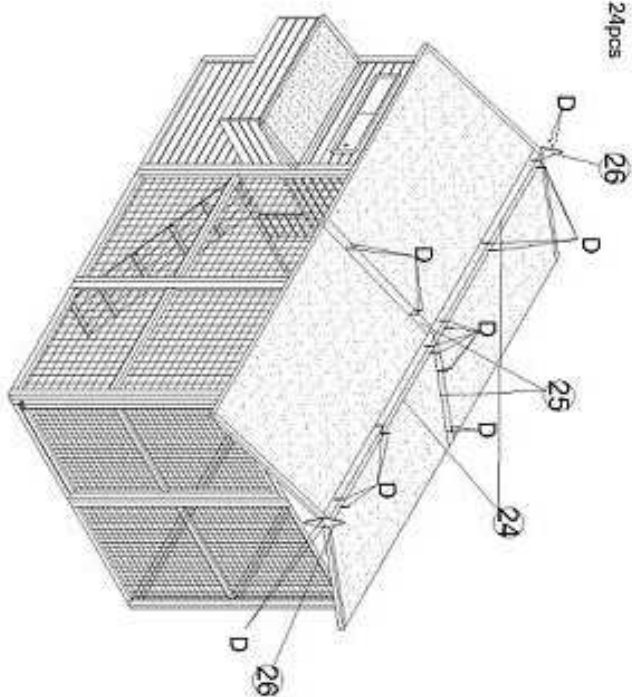
ETAPÉ 8

C M3.5x35 16pcs



ETAPÉ 9

D M3.5x25 24pcs



ETAPÉ 10